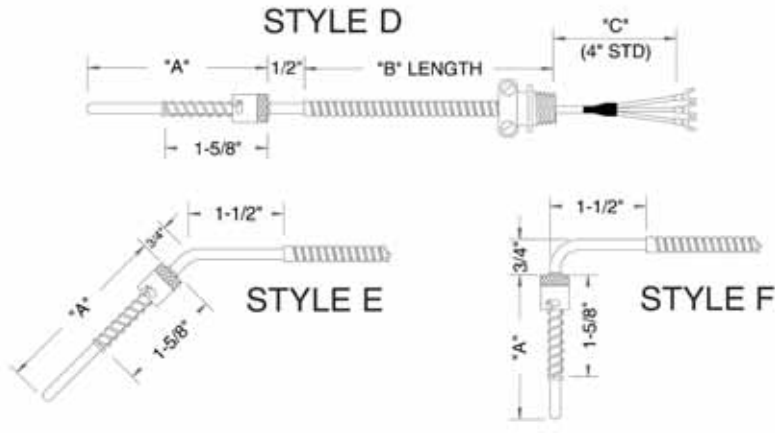




FIXED BAYONET RTD's PLASTICS



NOTE:
 What is shown
 in photo

1	2	3	4	5	6	7	8	9	10	11	12	13	14	15	16	17
R	T	D	B	A												
1 (R) []																
2 (T) []																
3 (D) []																
STYLE 4&5 (BA) Fixed Bayonet																
ELEMENT TYPE 6 (A) 2-Wire Single (B) 3-Wire Single (D) 2-Wire Dual (E) 3-wire Dual																
SHEATH DIAMETER or for RING/LUG use BOLT/STUD SIZE 7 (1) 1/8 (2) 3/16 (3) 1/4 (4) 5/16 (5) #10																
SHEATH LENGTH 8 (#) Example: 06-6" L																
WHOLE # 9 (#) Use XX for Ring/Lug																
FRACTIONAL 10 (A) None (B) 1/16 (C) 1/8 (E) 3/16 (G) 1/4 (J) 3/8 (L) 1/2 (N) 5/8 (Q) 3/4 (S) 7/8																
										SEATH MOUNTING 17 *USE SEATH MOUNTING FITTINGS CHART 16 *USE SEATH MOUNTING FITTINGS CHART						
										LEADWIRE TERMINATION 15 (0) None (1) 2 1/2 Split Leads w/ #8 Spade Lugs (2) Standard Male Plug (3) Standard Plug w/ Mating Jack (4) 2 1/2 Split Leads w/ Spade Lugs & BX Connector (5) Standard Female Jack (6) 2 1/2 Split Leads (7) Mini Male Plug (8) Mini Female Jack (9) Mini Plug/Jack (A) 2 1/2 Split Leads w/ 1/4 Push-on Connectors (Z) Switchcraft Connectors (M & F)						
										LEADWIRE LENGTH 14 (#) 13 (#) example: 048 = 48"L 12 (#)						
										LEADWIRE TYPE 11 (0) Soild Fiberglass (1) Solid Fiberglass w/ SS Flex Armor (2) Stranded Fiberglass w/ SS Overbraid (3) Soild Fiberglass w/ SS Overbraid (4) Stranded Fiberglass w/ SS Flex Armor (5) Stranded Fiberglass (6) Stranded Teflon w/ SS Overbraid (7) Stranded Teflon w/ SS Flex Armor (8) Stranded Fiberglass w/ SS Overbraid & SS Flex Armor (G) Hi-Temp Fiberglass (H) Hi-Temp Fiberglass w/ SS Flex Armor (J) Soild Teflon (K) Soild Teflon w/ SS Flex Armor (L) Soild Teflon w/ SS Overbraid (M) Stranded Teflon (P) Stranded Shielded Teflon (S) Stranded PVC (U) Kapton (Z) Stranded Teflon Singles or Stranded Fiberglass Singles						

Submit